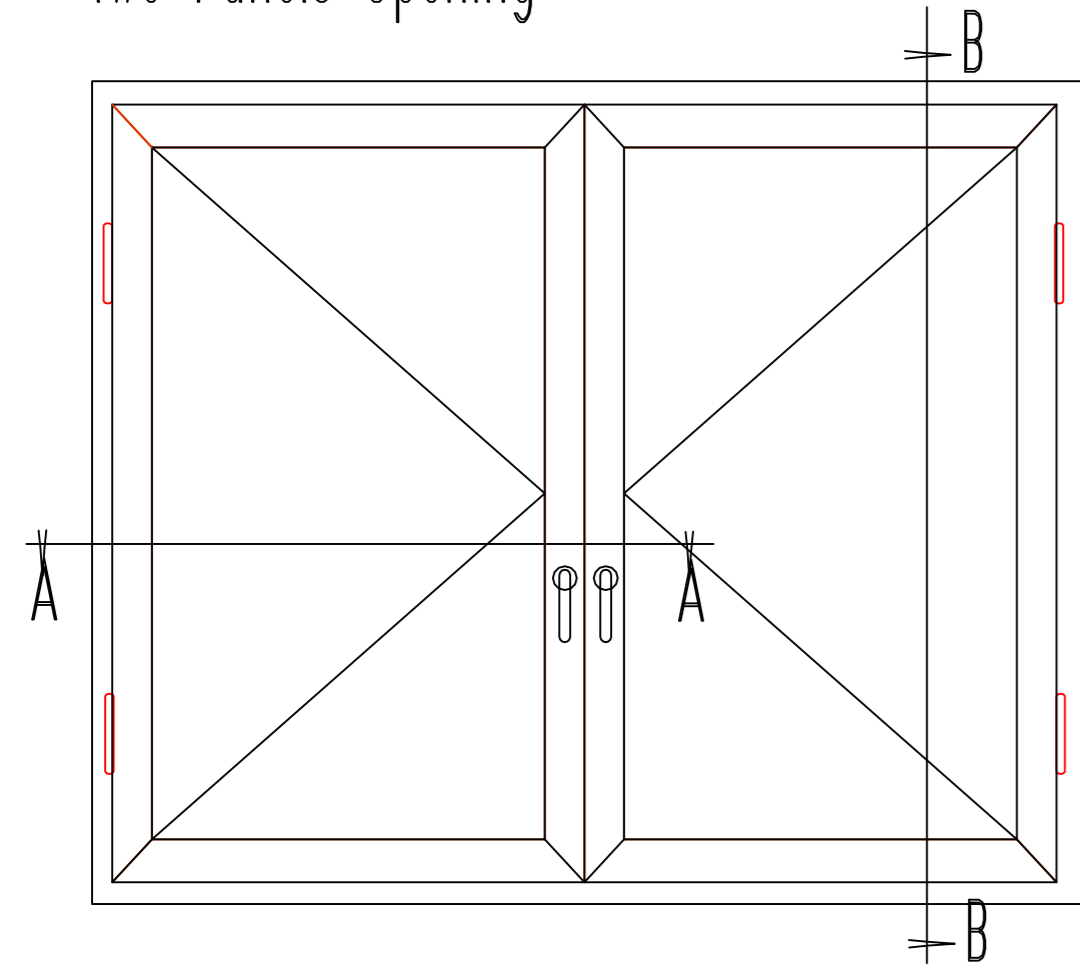
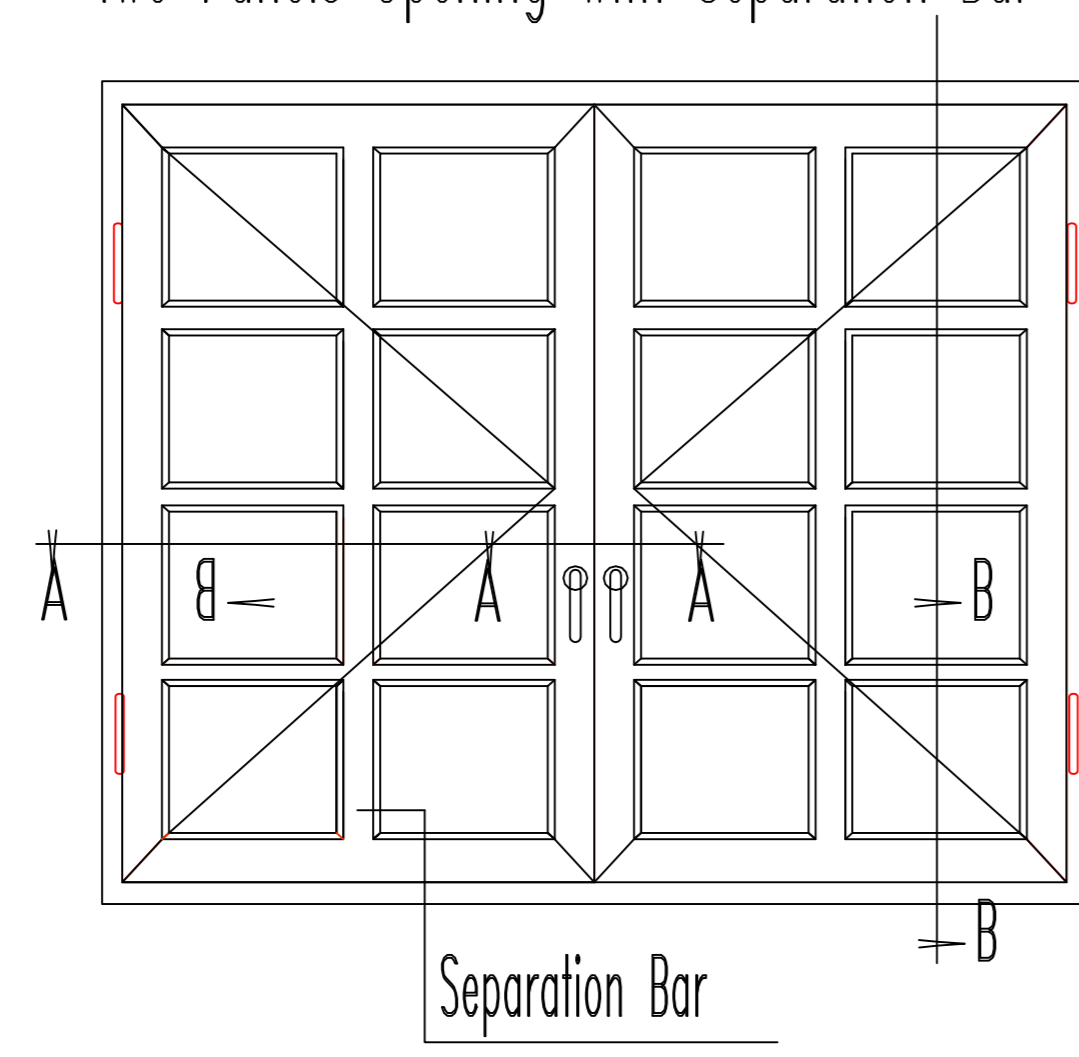


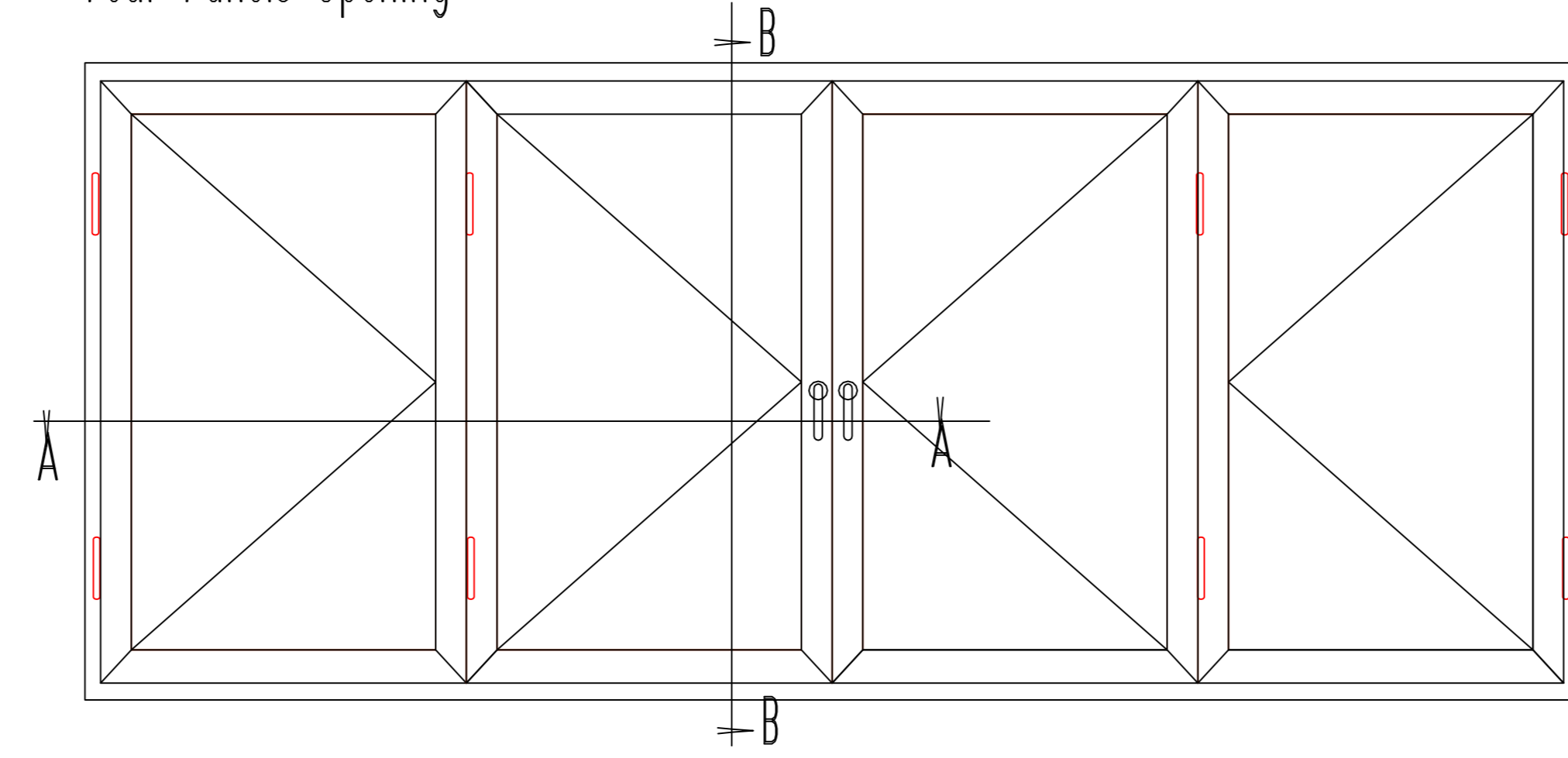
two Panels Opening



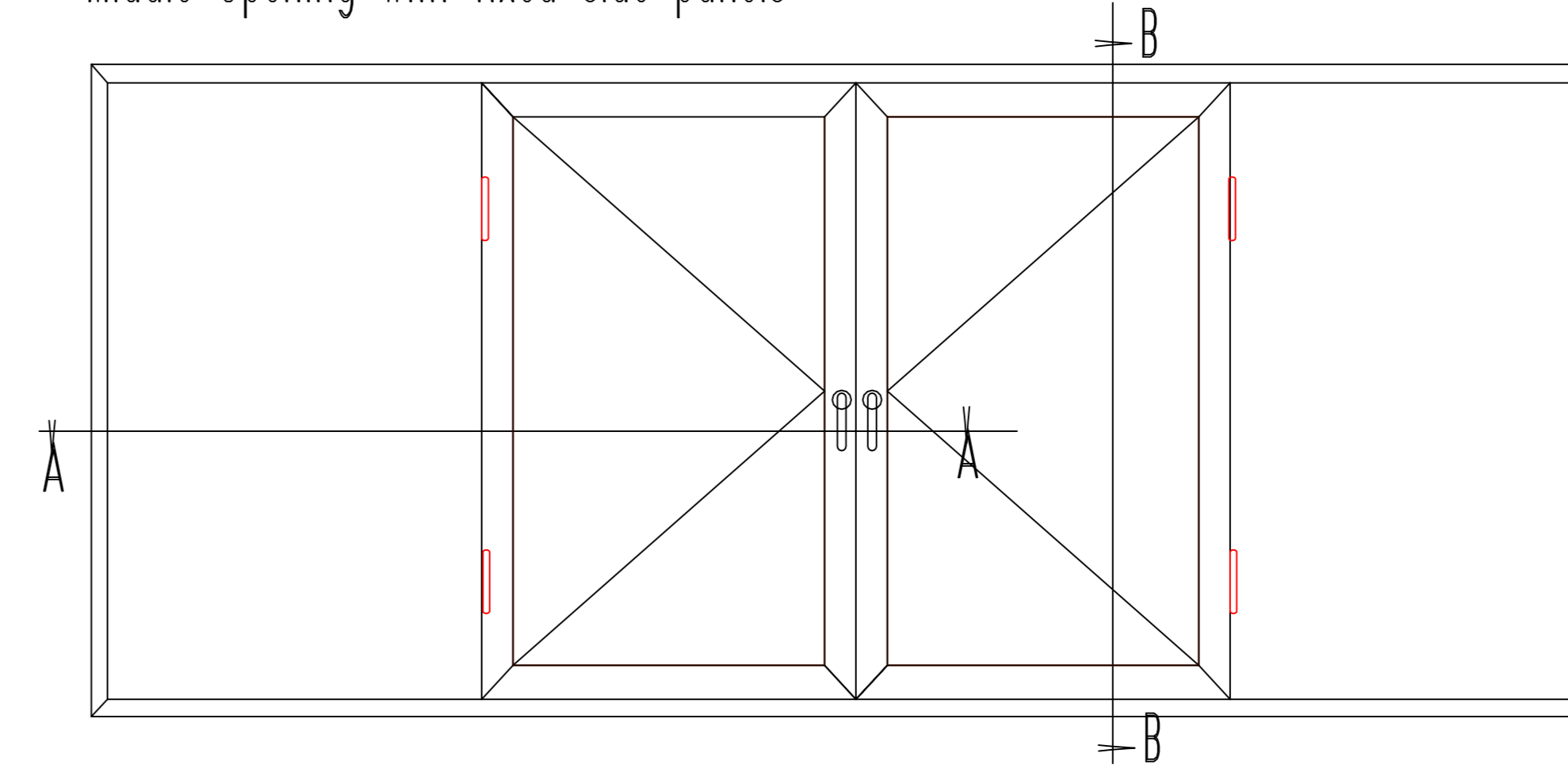
two Panels Opening with Separation Bar



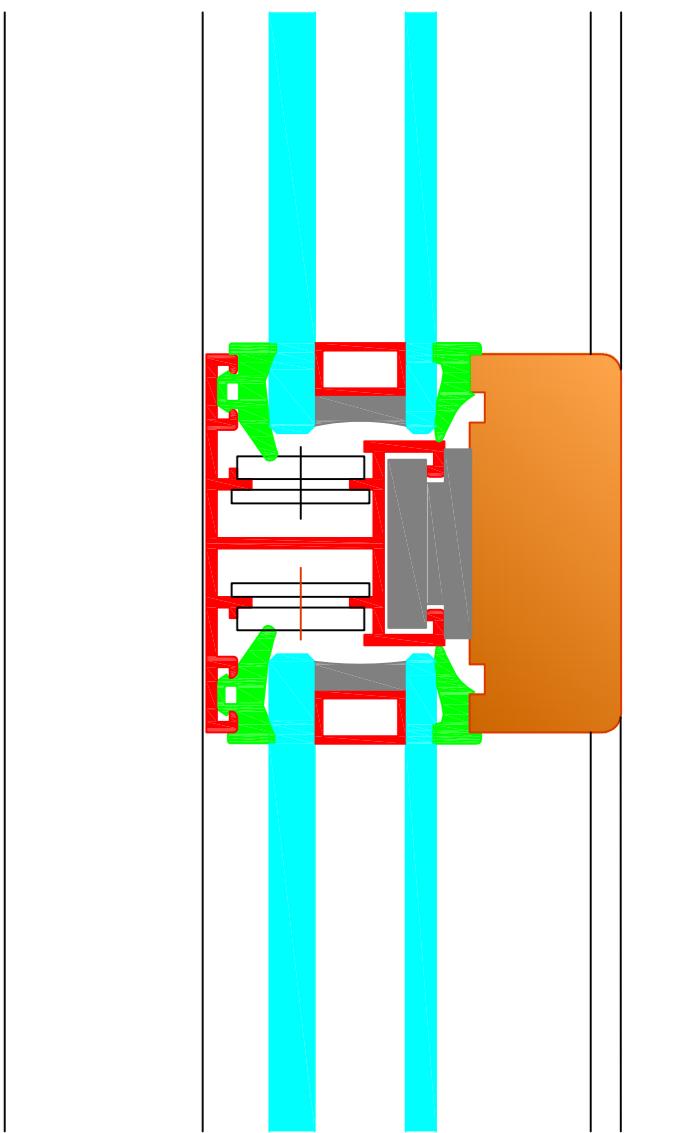
Four Panels Opening



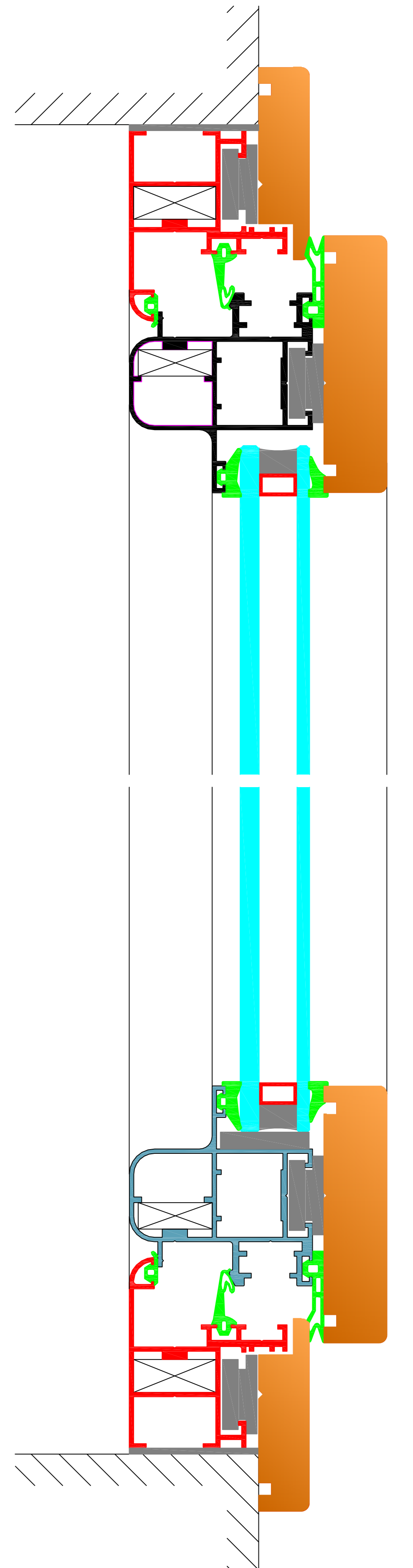
Middle Opening with fixed side panels



Separation Bar

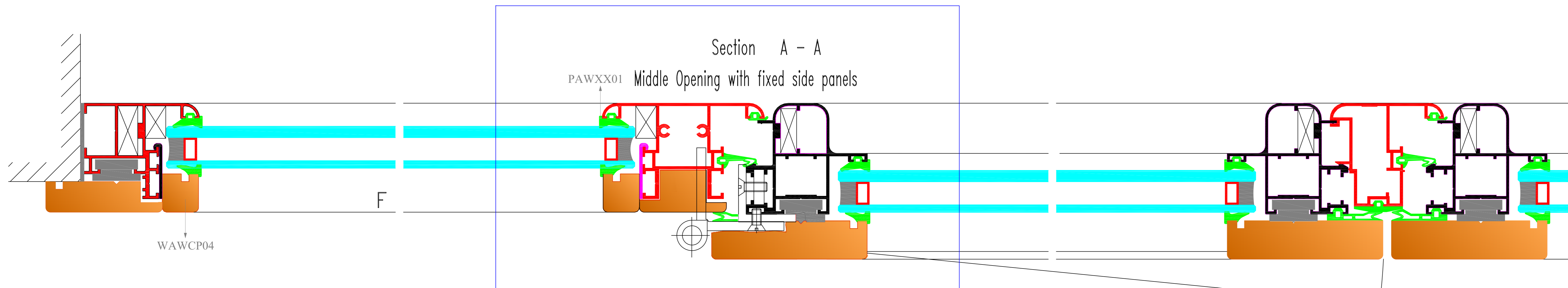


Section B - B



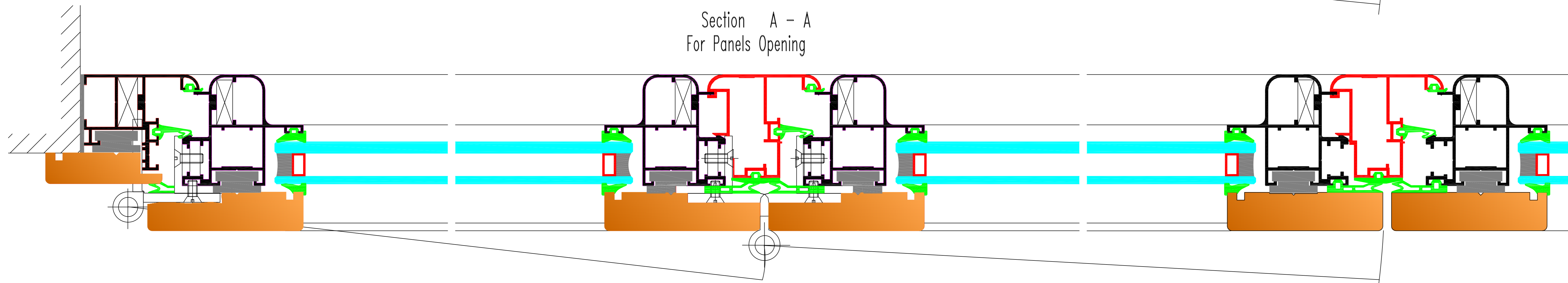
Section A - A

PAWXX01 Middle Opening with fixed side panels

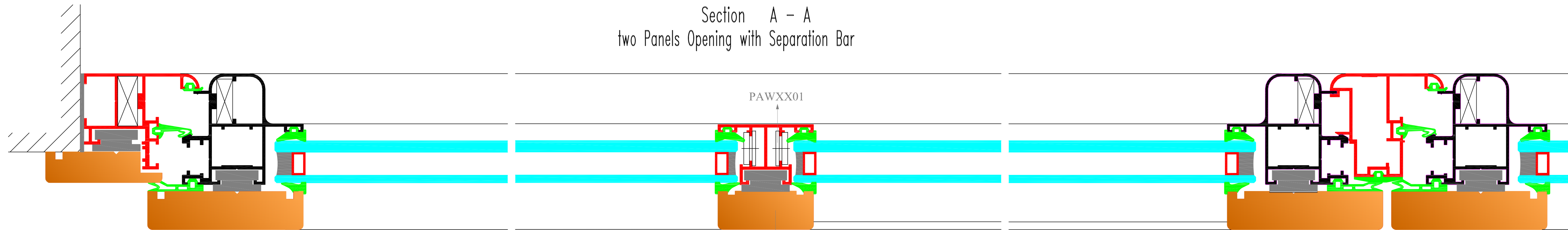


Section A - A

For Panels Opening

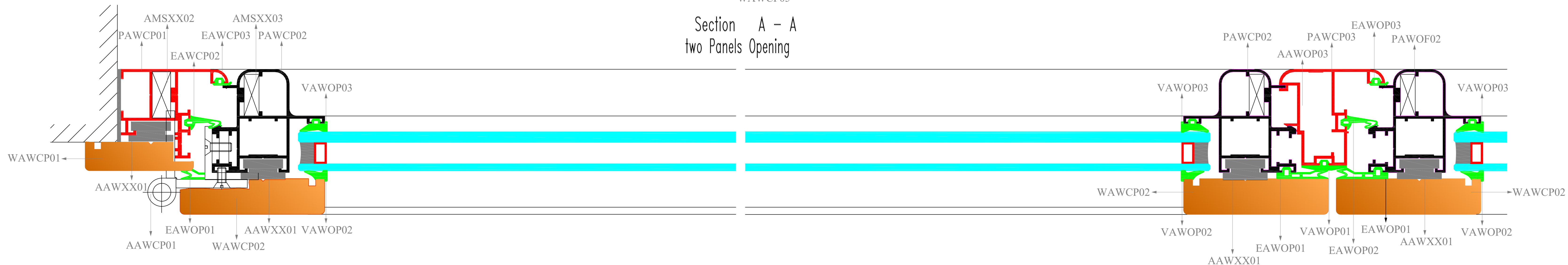


Section A - A  
two Panels Opening with Separation Bar



Section A - A

two Panels Opening



Remarks:

Supplier: **ASNAF HUSSEINI Group**

Description: **OPENING ALUWOOD**

Drawing date: 20/3/1999  
Modification date: 18/07/2000  
Scale: 1/1  
N°200 e